

## Board and Batten Installation Instructions

FIGURE 1

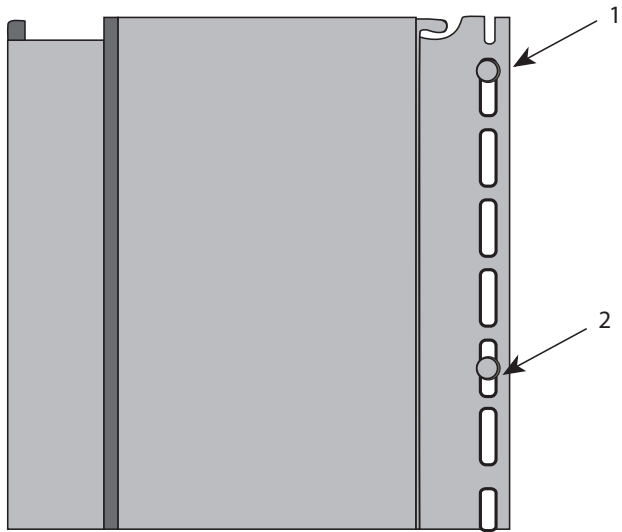


FIGURE 2

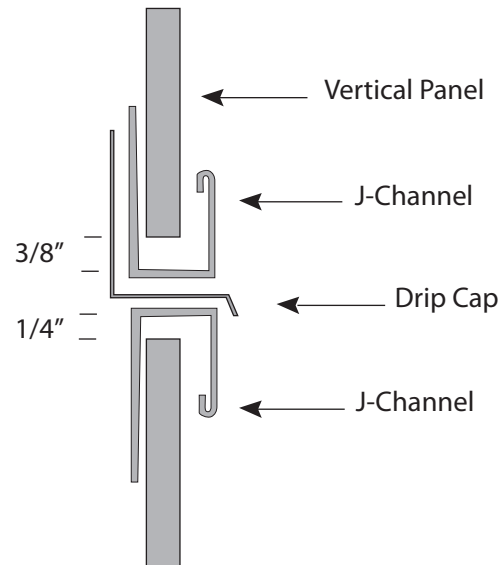
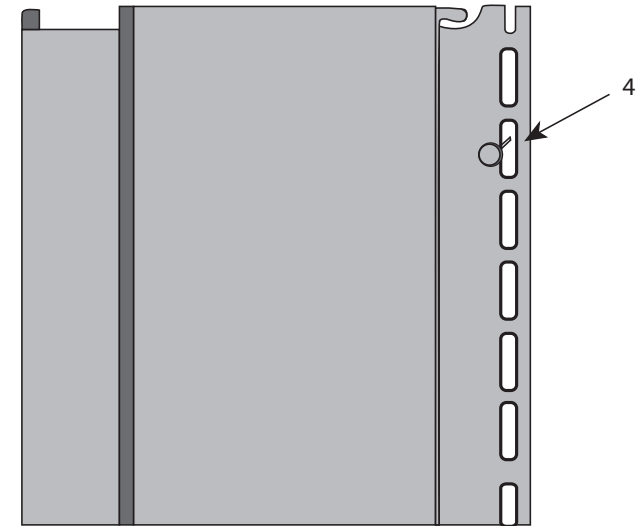


FIGURE 3



Working from the starter strip to the corners, lock each panel and fasten every 12”.

1. Place the first fastener in the uppermost end of the top nail slots to hold panel in position.
2. Place all other fasteners in the center of the slots. Fasten every 12”

3. Allow proper clearance around all horizontal joints - including windows, doors, and other obstacles. See image 2

4. Leave 1/32” to 1/16” clearance between nail head and siding panel.

Note: B&B vertical siding needs to be installed on a smooth flat surface. When using strapping, a suitable underlayment must be used in order to provide the smooth flat surface.

Please refer to full installation guide before installing.

Installation instructions must be followed any deviation will render the warranty null and void.