

Board and Batten Installation Instructions

Figure 1

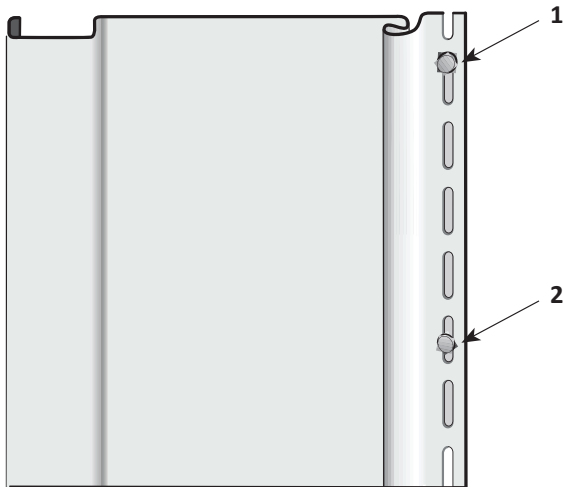


Figure 2

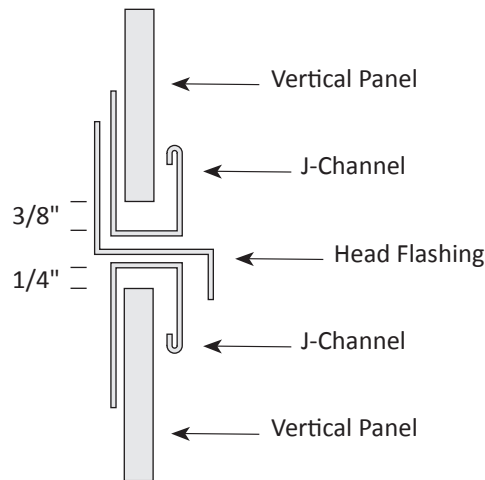
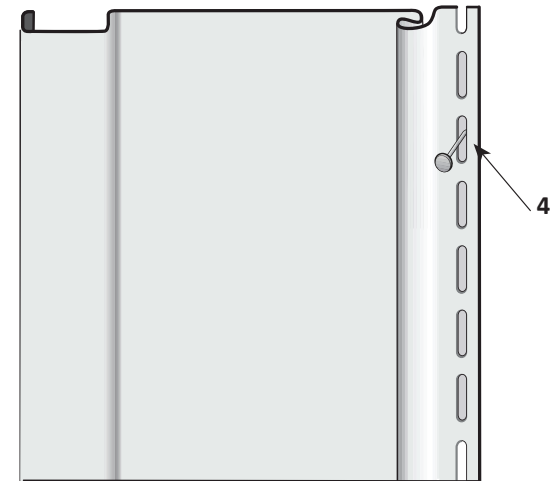


Figure 3



1. Place the first fastener in the uppermost end of the top nail slots to hold panel in position.
2. Place all other fasteners in the center of the slots.

3. Allow proper clearance around all horizontal joints - including windows, doors, and other obstacles - as per figure 2.

4. Leave 1/32" to 1/16" clearance between nail head and siding panel.

Note: B&B vertical siding needs to be installed on a smooth, flat surface without the use of strapping or with the use of underlayment to provide the flat and smooth surface.

Please refer to full installation guide before installing.