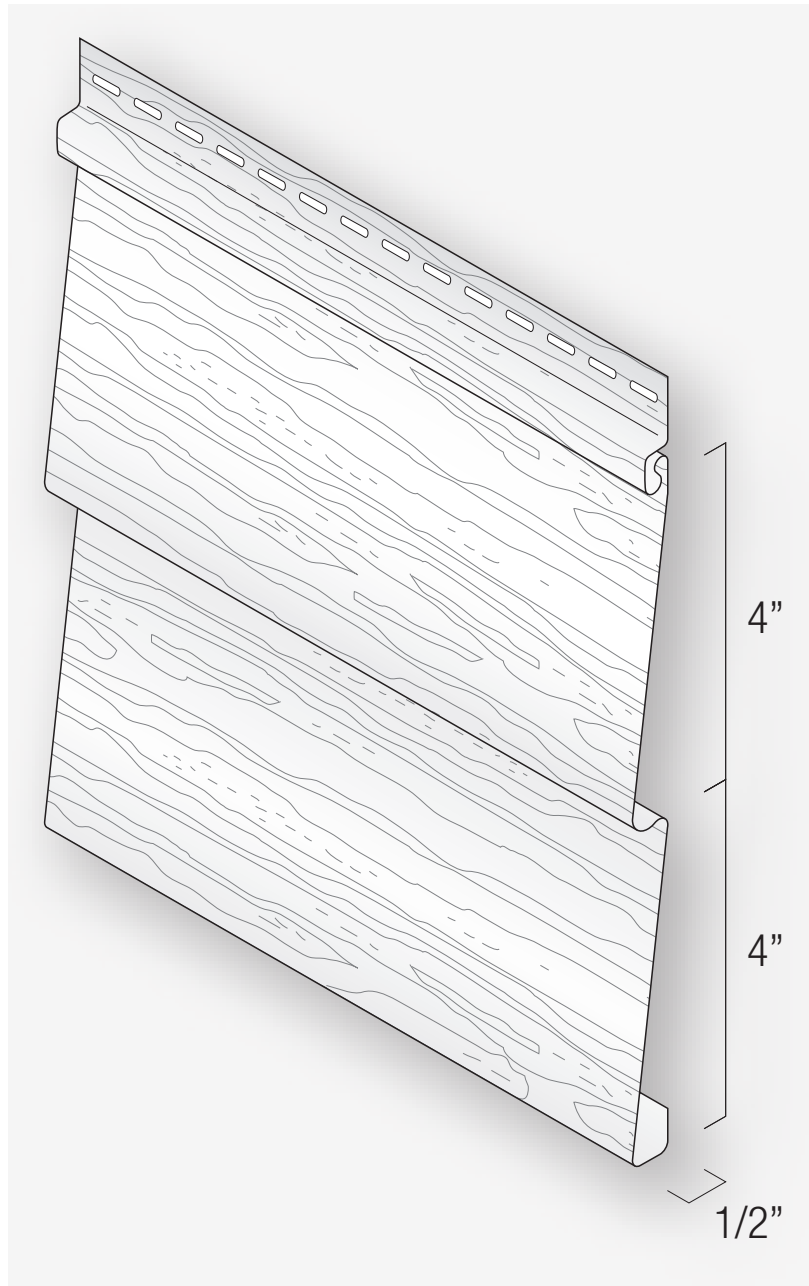




KAYCAN
Head Office: 3075, aut Transcanadienne,
Pointe-Claire, QC H9R 1B4
Customer Care: 1 800-952-9226
www.kaycan.com



NOTES:

1. INSTALLATION TO BE IN ACCORDANCE WITH MANUFACTURER'S SPECIFICATIONS.
2. DO NOT SCALE PRINTED DRAWING.
3. THIS DRAWING INTENDED FOR USE BY ARCHITECTS, ENGINEERS, CONTRACTORS, CONSULTANTS AND DESIGN PROFESSIONALS FOR PLANNING PURPOSES ONLY.
4. CONTRACTOR'S NOTE: FOR PRODUCT AND COMPANY INFORMATION VISIT: WWW.KAYCAN.COM

NOTES: **Hardwood Valley II D4**