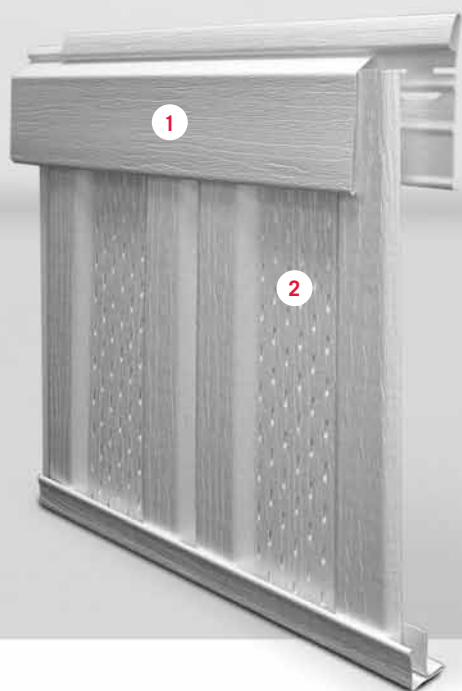


# KAYCAN VINYL SKIRTING SYSTEM COMPONENTS

A PROFESSIONAL, EASY-CARE INSTALLATION EVERY TIME!

## Do it yourself

### Vinyl Skirting Installation Guide



HERE'S EVERYTHING YOU'LL NEED TO ADD THAT FINISHING TOUCH TO ANY FOUNDATION.

- 1 FRONT SKIRTING TRIM
- 2 CENTER VENTED PANELS
- 3 REAR SKIRTING TRIM
- 4 SOLID SKIRTING PANELS
- 5 VINYL GROUND CHANNEL

YOU WILL ALSO NEED GALVANIZED SPIKES AND ROOFING NAILS.

**KAYCAN**

[www.kaycan.com](http://www.kaycan.com)

1-800-952-9226



KVSKPGEng - 11A © 2011 Kaycan

**KAYCAN**  
BUILDING LASTING IMPRESSIONS

# KAYCAN VINYL SKIRTING SYSTEM

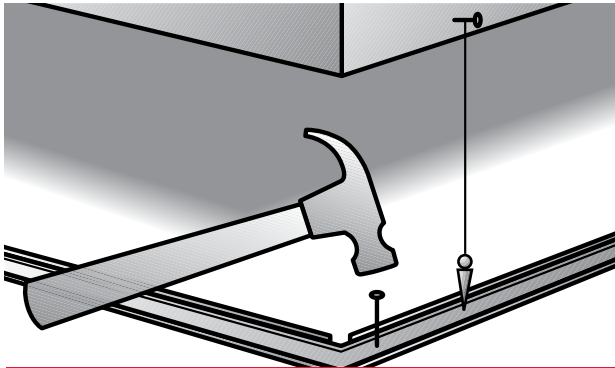
A POLISHED, PROFESSIONAL FINISH – IDEAL FOR THE DO-IT-YOURSELFER!

Quick and easy installation | Sanitary | Easy to clean | Insect and vermin resistant

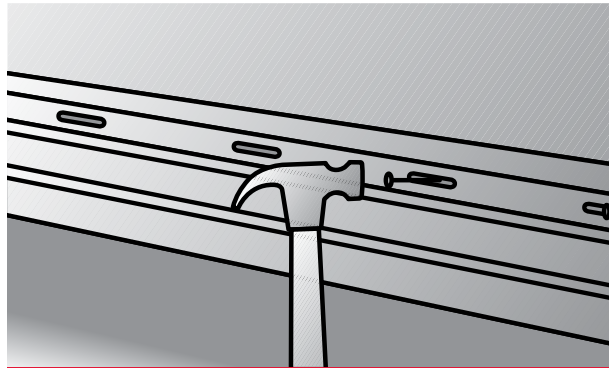
The Kaycan Vinyl Skirting system is the perfect solution to provide a clean and professional look for porches and enclosures and it adds that finishing touch to foundation surrounds and manufactured housing.

Kaycan's Vinyl Skirting System has easy-to-assemble components, engineered to fit together precisely, for a perfect installation every time. Easy-care vinyl keeps looking as new as the day it was installed with just an occasional spray from a garden hose.

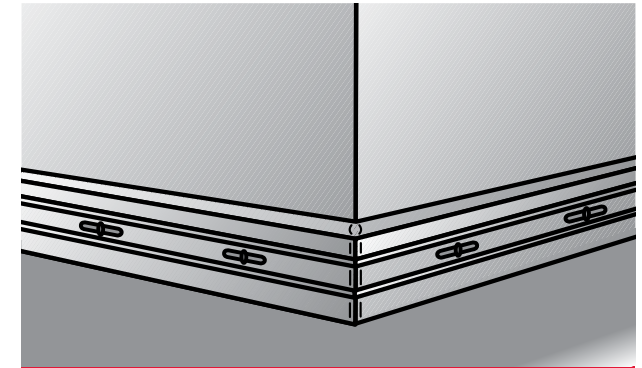
The system structure has built-in flexibility to accommodate for airflow that may be required beneath the home. Simply intersperse solid panels with vented panels and the necessary air exchange is easily achieved.



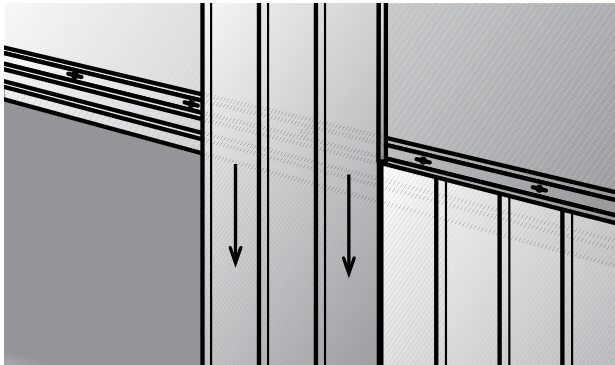
1. Install the vinyl ground channel directly under the outside edge of your home using galvanized nails. Use a plumb bob to determine the exact location.



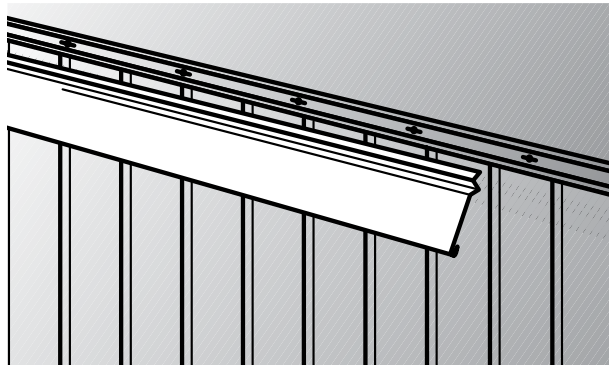
2. Install the back skirting trim. Snap a chalk line at the bottom of your home to mark the position for the back skirting trim. Nail the trim pieces to the home using the nail slots. Make sure you place the nail in the center of the slot and do not hammer tightly.



3. To go around corners, bend the back skirting trim at the corners of the home and continue nailing. Do not cut.



4. Measure the skirting panels to the proper height, subtracting  $\frac{1}{4}$ " for expansion. Cut the panels to size using the tin snips. Slide panels over the back skirting trim and into the vinyl ground channel, interlocking the panels as you install them. To form corners, bend but do not cut the panels.

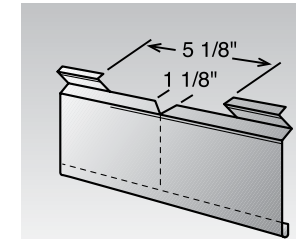


5. Snap the front skirting trim into place to hold panels securely. To form corners, do not cut the panels, notch and bend the panels. Follow the special guidelines shown in illustrations 6a and 6b to finish the skirting trim at the corners.

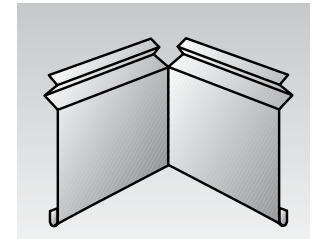
## INSTALLATION IS STRAIGHT FORWARD AND SIMPLE!

Before you begin your skirting installation, you will need to gather a few household tools:

Hammer, chalk line, tape measure, tin snips or aviation snips and plumb bob.



6a. Cutting outside corners – Determine the location of the corner and cut a 5-1/8" section from the top edge of the spring lock. In the center, cut a 'V'  $\frac{3}{4}$ " deep and 1-1/8" wide at the top edge and a small 'V' cut at the bottom. Bend the front skirting trim and snap it into the corner.



6b. Cutting inside corners – To cut the front skirting trim for inside corners, cut out a 1" or 2" tab in the top edge of the spring lock and make a small 'V' cut through the bottom lip. Bend and snap the trim piece into place.